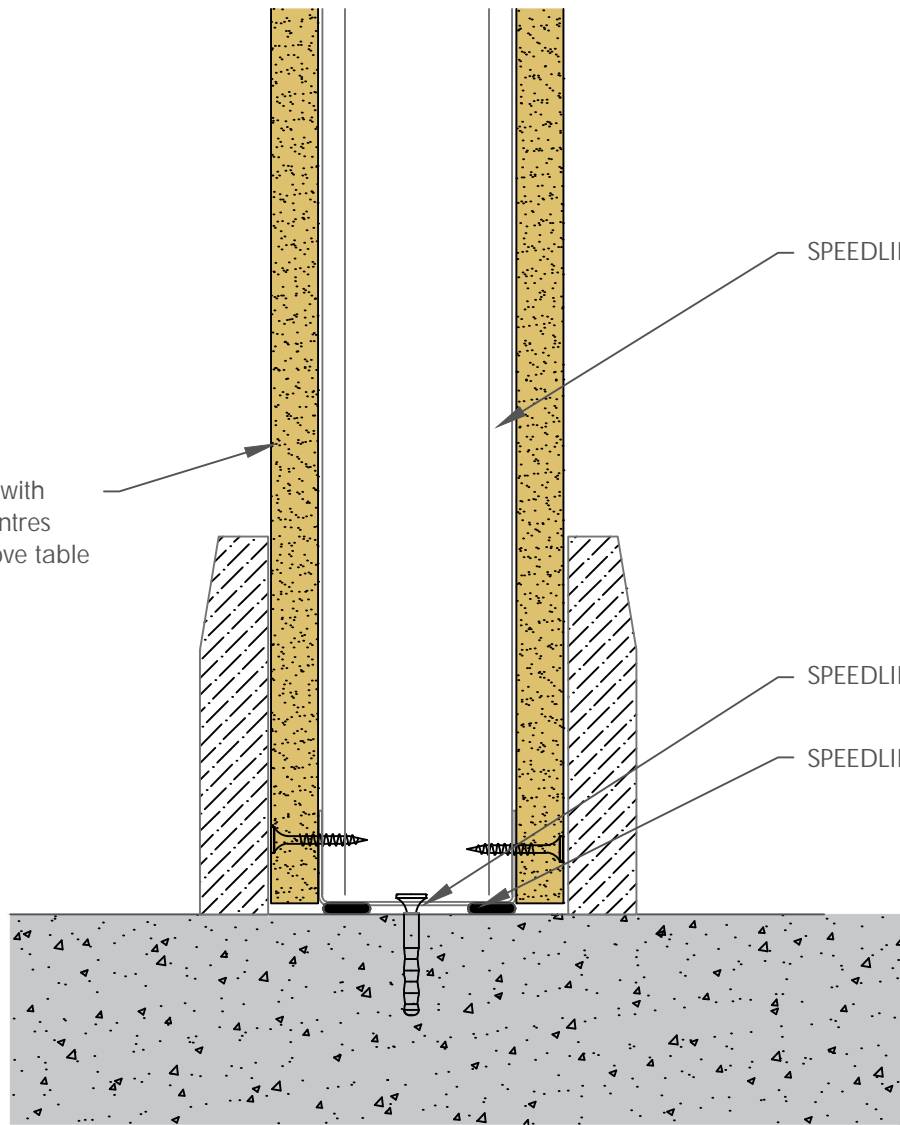


Board Thickness	Speedline Drywall Fixing Length
12.5mm & 15mm	25mm
12.5mm + 12.5mm	25mm + 38mm
12.5mm + 15mm	25mm + 42mm
15mm + 15mm	25mm + 42mm

One layer of Gypsum Plasterboard fixed with SPEEDLINE Drywall Screws at 300mm centres (200mm at external angles). Refer to above table for fixing lengths



SPEEDLINE 'C' Stud as per specification

SPEEDLINE Track suitably fixed at 600mm Ctrs

SPEEDLINE Intumescent Sealant

Design Data:  
 Detail may not replicate a laboratory tested configuration and for this reason approval from the relevant authority and Principal Designer should be sought.  
 Detail based on construction with materials & components as shown. The inclusion or substitution of any other manufacturers materials or components must be given in writing by SIG PLC.  
 This information is provided in good faith and is based upon details received which are assumed to include all relevant facts.  
 We accept no liability for its accuracy, adequacy or completeness. Recipients must satisfy themselves as to its suitability as we do not accept responsibility for any claims or consequential loss.  
 Acceptance of the content and subsequent design responsibility rests entirely with the recipients who should then produce accepted details on their own company documentation.

CDR No: 198

SCALE: NTS

DATE: 01/08/24

C STUD  
 BASE DETAIL  
 SINGLE LAYER  
 5012St

Details to be read in conjunction with project specification guidelines

Adsetts House,  
 16 Europa View,  
 Sheffield Business Park,  
 Sheffield,  
 S9 1XH.  
 T: 0114 231 8030  
 E: enquiries@speedlinedrywall.co.uk



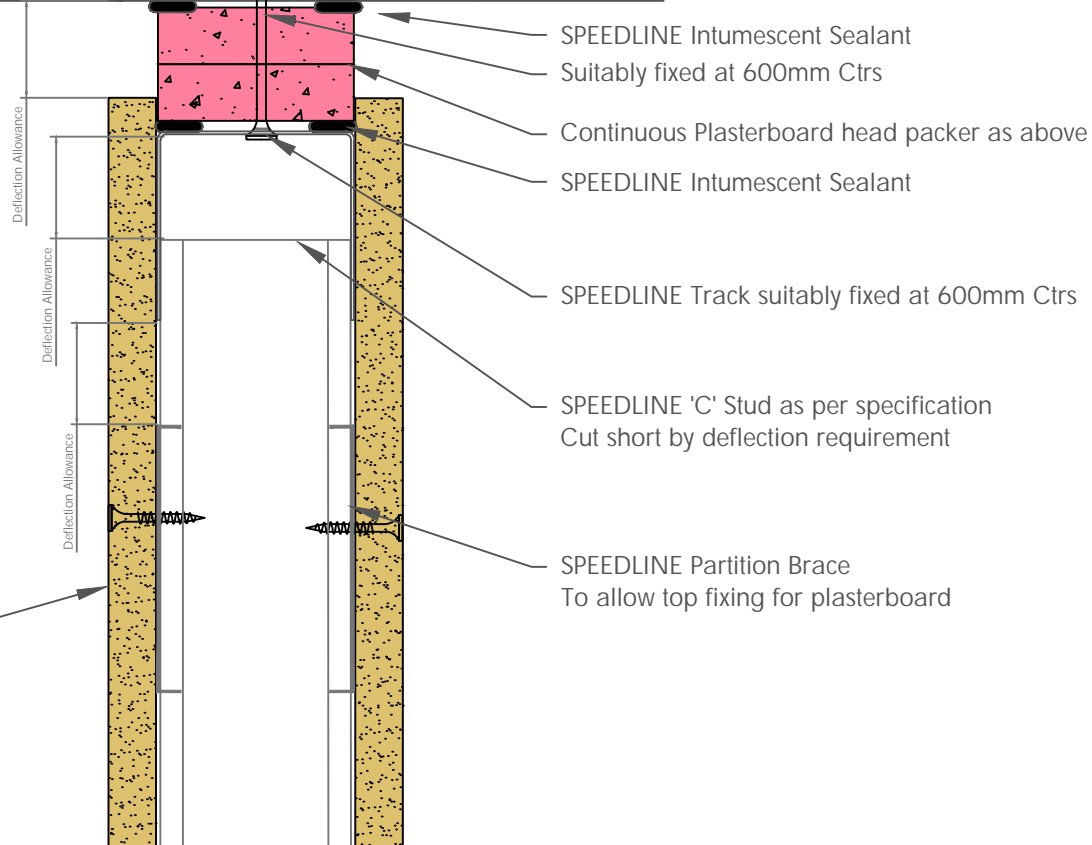
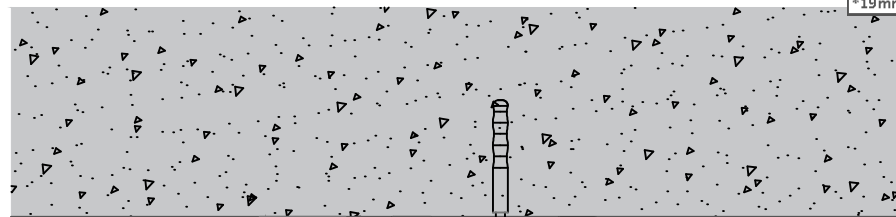
Board Thickness	Speedline Drywall Fixing Length
12.5mm & 15mm	25mm
12.5mm + 12.5mm	25mm + 38mm
12.5mm + 15mm	25mm + 42mm
15mm + 15mm	25mm + 42mm

DO NOT SCREW FIX THE PLASTERBOARD TO THE STUD OR TRACK ABOVE PARTITION BRACE.  
DO NOT FIX STUDS TO HEAD TRACKS AS THIS WILL STOP DEFLECTION HEAD FROM MOVING

HEAD PACKER THICKNESS PER DEFLECTION ALLOWANCE ON 50 & 60mm :				
Head Packers by Fire Rating				
Deflection	Head Track	30 Mins	60Mins	90 & 120Mins
Up to 15mm	SPEDT	Min 2x12.5mm WB	Min 2x12.5mm SR*	Min 2x12.5mm FR*
Up to 25mm	SPEDT	Min 2x15mm WB	Min 2x15mm SR	Min 2x15mm FR

WB=Wallboard SR=Sound Resistant Board FR=Fire Resistant Board (Type F)

\*19mm Core board can be used as a single or multiple layers in all the above build-ups



One layer of Gypsum Plasterboard fixed with SPEEDLINE Drywall Screws at 300mm centres (200mm at external angles). Refer to above table for fixing lengths

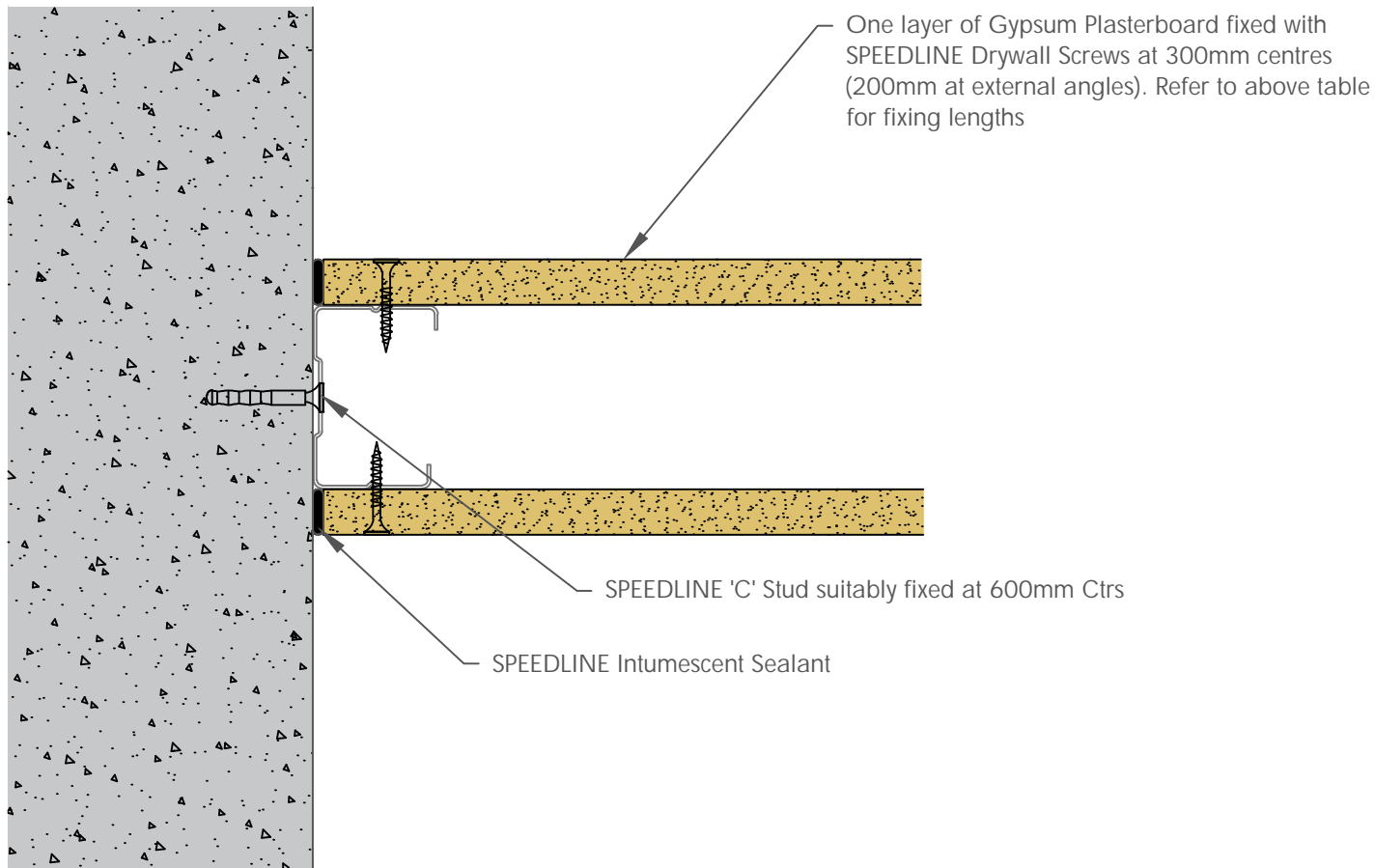
Design Data:  
Detail may not replicate a laboratory tested configuration and for this reason approval from the relevant authority and Principal Designer should be sought.  
Detail based on construction with materials & components as shown. The inclusion or substitution of any other manufacturers materials or components must be given in writing by SIG PLC.  
This information is provided in good faith and is based upon details received which are assumed to include all relevant facts.  
We accept no liability for its accuracy, adequacy or completeness. Recipients must satisfy themselves as to its suitability as we do not accept responsibility for any claims or consequential loss.  
Acceptance of the content and subsequent design responsibility rests entirely with the recipients who should then produce accepted details on their own company documentation.

CDR No: 9E	SCALE: NTS	DATE: 01/08/24
C STUD DEFLECTION HEAD DETAIL UP TO 30 MINUTES SINGLE LAYER 5012St		
Details to be read in conjunction with project specification guidelines		

Adsetts House,  
16 Europa View,  
Sheffield Business Park,  
Sheffield,  
S9 1XH.  
T: 0114 231 8030  
E: enquiries@speedlinedrywall.co.uk



Board Thickness	Speedline Drywall Fixing Length
12.5mm & 15mm	25mm
12.5mm + 12.5mm	25mm + 38mm
12.5mm + 15mm	25mm + 42mm
15mm + 15mm	25mm + 42mm



Design Data:  
 Detail may not replicate a laboratory tested configuration and for this reason approval from the relevant authority and Principal Designer should be sought.  
 Detail based on construction with materials & components as shown. The inclusion or substitution of any other manufacturers materials or components must be given in writing by SIG PLC.  
 This information is provided in good faith and is based upon details received which are assumed to include all relevant facts.  
 We accept no liability for its accuracy, adequacy or completeness. Recipients must satisfy themselves as to its suitability as we do not accept responsibility for any claims or consequential loss.  
 Acceptance of the content and subsequent design responsibility rests entirely with the recipients who should then produce accepted details on their own company documentation.

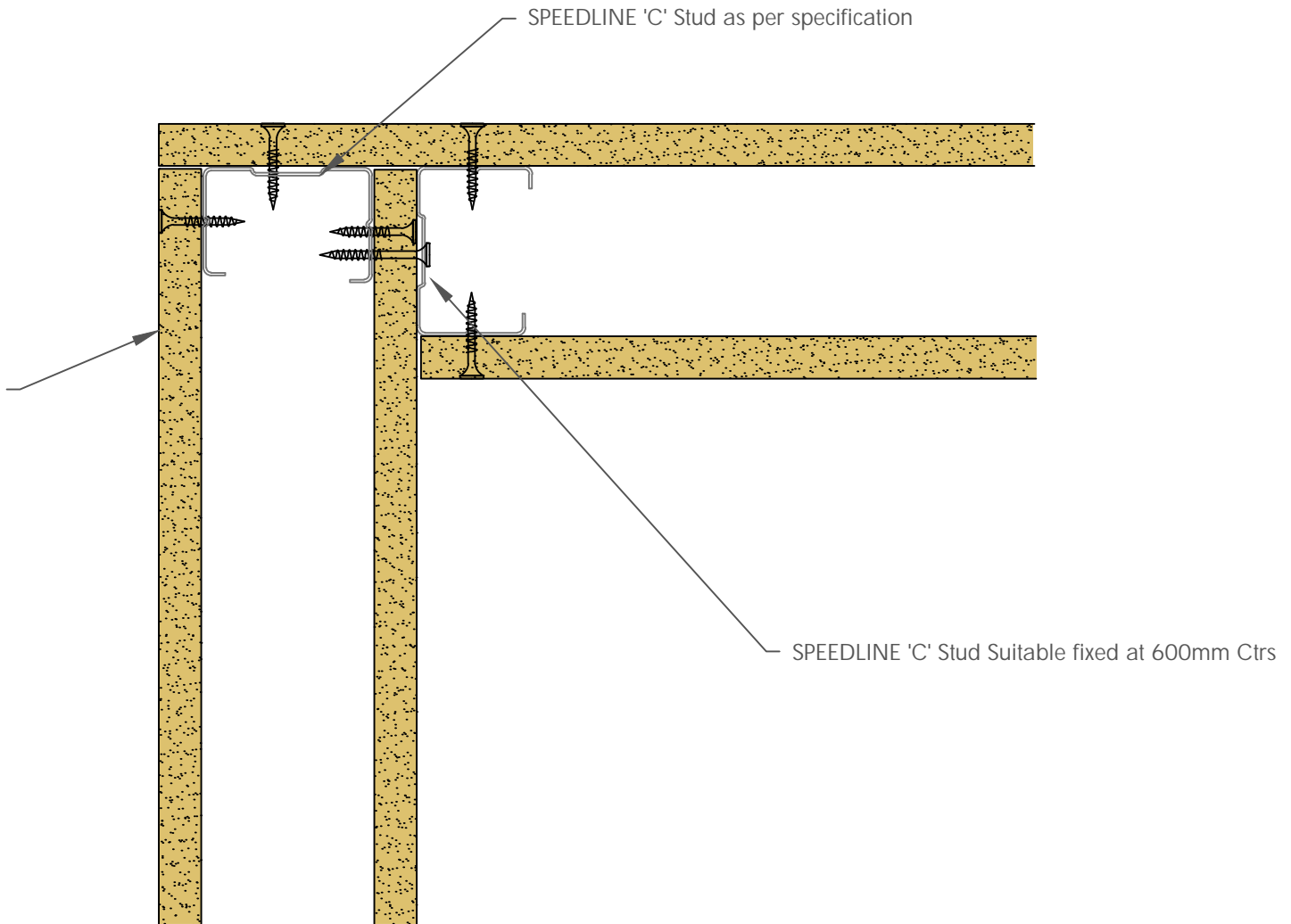
CDR No:204A	SCALE: NTS	DATE: 01/08/24
C STUD WALL JUNCTION DETAIL SINGLE LAYER 5012St		
Details to be read in conjunction with project specification guidelines		

Adsetts House,  
 16 Europa View,  
 Sheffield Business Park,  
 Sheffield,  
 S9 1XH.  
 T: 0114 231 8030  
 E: enquiries@speedlinedrywall.co.uk



Board Thickness	Speedline Drywall Fixing Length
12.5mm & 15mm	25mm
12.5mm + 12.5mm	25mm + 38mm
12.5mm + 15mm	25mm + 42mm
15mm + 15mm	25mm + 42mm

One layer of Gypsum Plasterboard fixed with SPEEDLINE Drywall Screws at 300mm centres (200mm at external angles). Refer to above table for fixing lengths



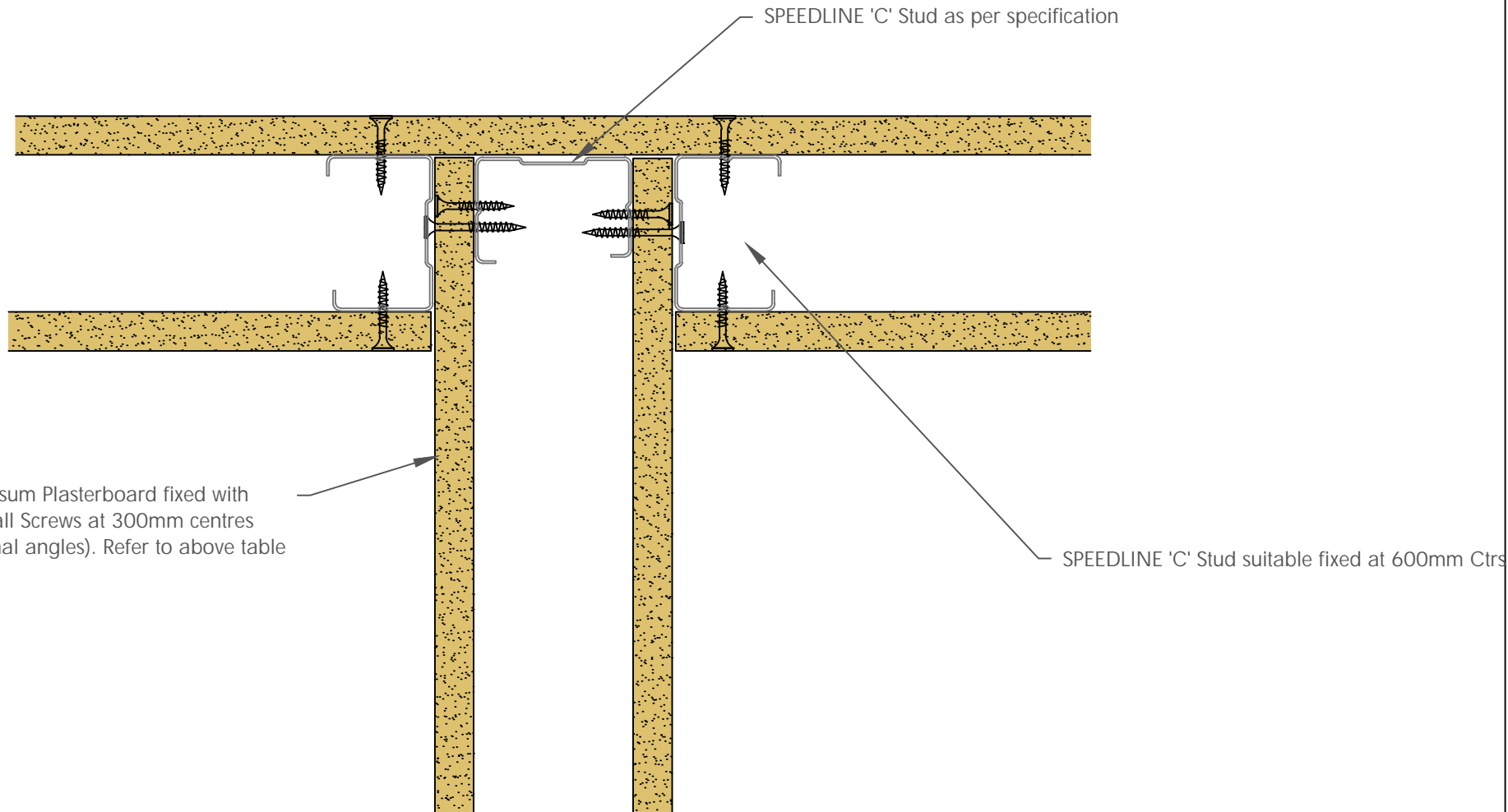
Design Data:  
 Detail may not replicate a laboratory tested configuration and for this reason approval from the relevant authority and Principal Designer should be sought.  
 Detail based on construction with materials & components as shown. The inclusion or substitution of any other manufacturers materials or components must be given in writing by SIG PLC.  
 This information is provided in good faith and is based upon details received which are assumed to include all relevant facts.  
 We accept no liability for its accuracy, adequacy or completeness. Recipients must satisfy themselves as to its suitability as we do not accept responsibility for any claims or consequential loss.  
 Acceptance of the content and subsequent design responsibility rests entirely with the recipients who should then produce accepted details on their own company documentation.

CDR No: 2E	SCALE: NTS	DATE: 01/08/24
C STUD CORNER DETAIL SINGLE LAYER 5012St		
Details to be read in conjunction with project specification guidelines		

Adsetts House,  
 16 Europa View,  
 Sheffield Business Park,  
 Sheffield,  
 S9 1XH.  
 T: 0114 231 8030  
 E: enquiries@speedlinedrywall.co.uk



Board Thickness	Speedline Drywall Fixing Length
12.5mm & 15mm	25mm
12.5mm + 12.5mm	25mm + 38mm
12.5mm + 15mm	25mm + 42mm
15mm + 15mm	25mm + 42mm



One layer of Gypsum Plasterboard fixed with SPEEDLINE Drywall Screws at 300mm centres (200mm at external angles). Refer to above table for fixing lengths

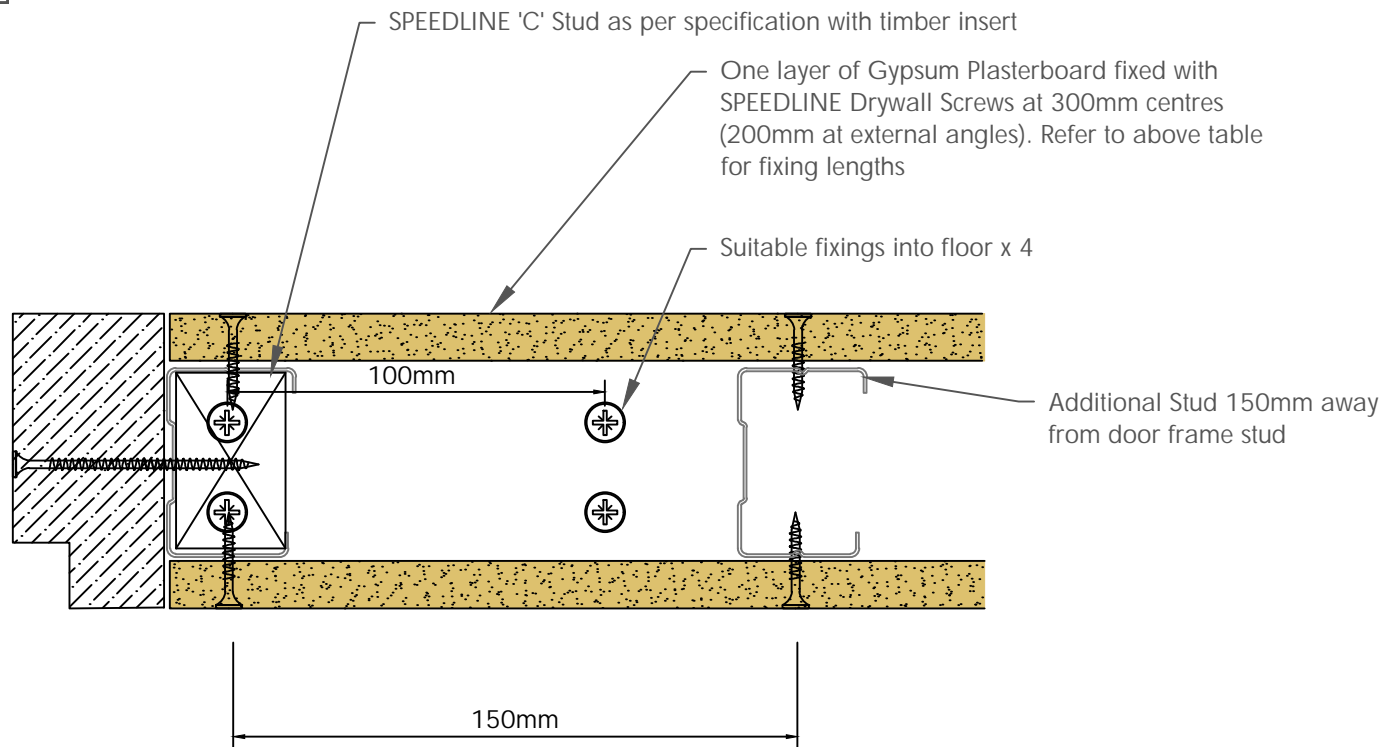
Design Data:  
 Detail may not replicate a laboratory tested configuration and for this reason approval from the relevant authority and Principal Designer should be sought.  
 Detail based on construction with materials & components as shown. The inclusion or substitution of any other manufacturers materials or components must be given in writing by SIG PLC.  
 This information is provided in good faith and is based upon details received which are assumed to include all relevant facts.  
 We accept no liability for its accuracy, adequacy or completeness. Recipients must satisfy themselves as to its suitability as we do not accept responsibility for any claims or consequential loss.  
 Acceptance of the content and subsequent design responsibility rests entirely with the recipients who should then produce accepted details on their own company documentation.

CDR No: 199A	SCALE: NTS	DATE: 01/08/24
C STUD ACOUSTIC T JUNCTION DETAIL SINGLE LAYER 5012St		
Details to be read in conjunction with project specification guidelines		

Adsetts House,  
 16 Europa View,  
 Sheffield Business Park,  
 Sheffield,  
 S9 1XH.  
 T: 0114 231 8030  
 E: enquiries@speedlinedrywall.co.uk



Board Thickness	Speedline Drywall Fixing Length
12.5mm & 15mm	25mm
12.5mm + 12.5mm	25mm + 38mm
12.5mm + 15mm	25mm + 42mm
15mm + 15mm	25mm + 42mm



To be read in conjunction with door manufacturers details & information

Design Data:  
Detail may not replicate a laboratory tested configuration and for this reason approval from the relevant authority and Principal Designer should be sought.  
Detail based on construction with materials & components as shown. The inclusion or substitution of any other manufacturers materials or components must be given in writing by SIG PLC.  
This information is provided in good faith and is based upon details received which are assumed to include all relevant facts.  
We accept no liability for its accuracy, adequacy or completeness. Recipients must satisfy themselves as to its suitability as we do not accept responsibility for any claims or consequential loss.  
Acceptance of the content and subsequent design responsibility rests entirely with the recipients who should then produce accepted details on their own company documentation.

CDR No: 36E

SCALE: NTS

DATE: 01/08/24

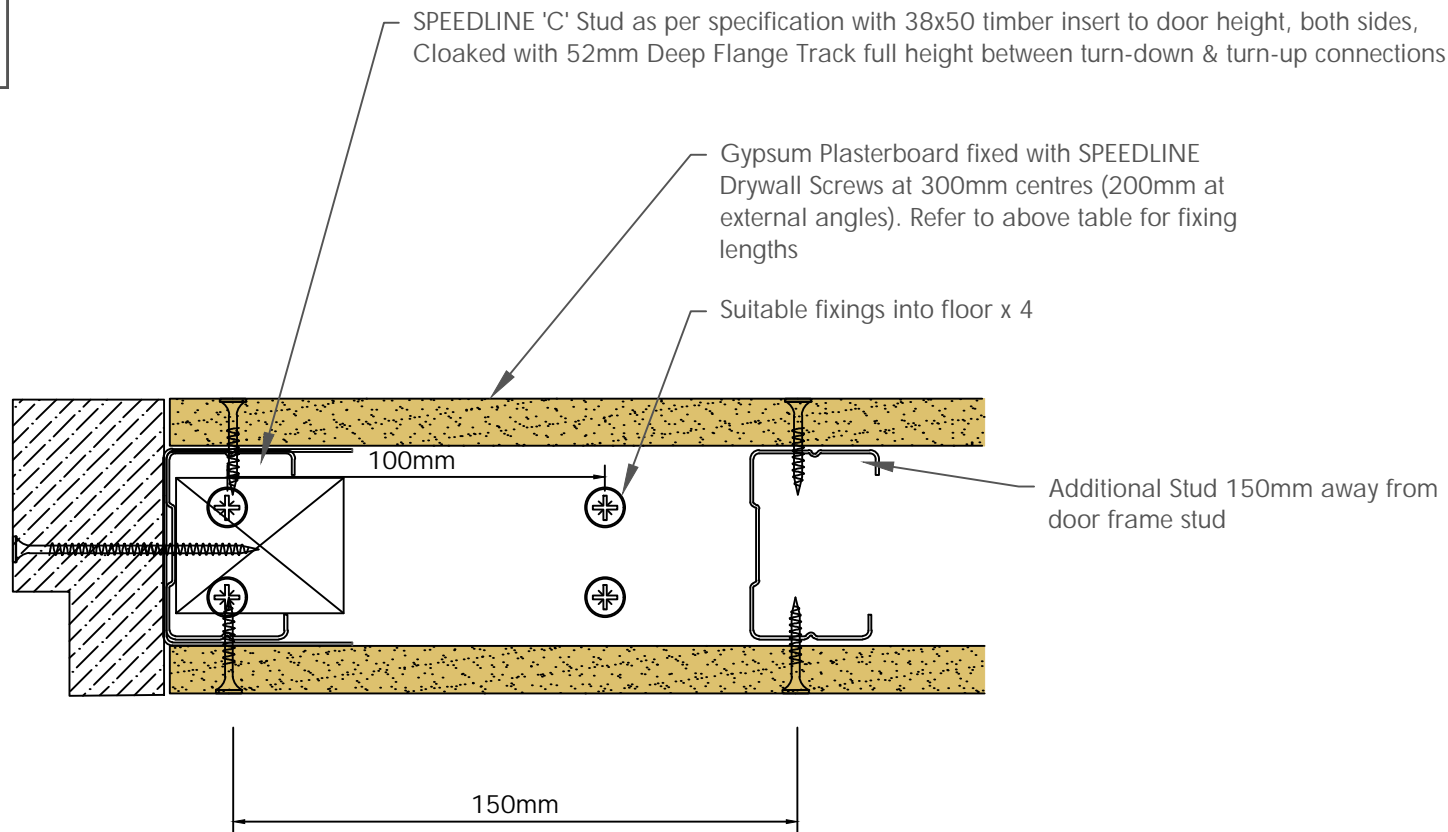
C STUD  
DOOR UP TO 25 Kgs  
SINGLE LAYER  
5012St

Details to be read in conjunction with project specification guidelines

Adsetts House,  
16 Europa View,  
Sheffield Business Park,  
Sheffield,  
S9 1XH.  
T: 0114 231 8030  
E: enquiries@speedlinedrywall.co.uk

**SPEEDLINE**  
DRYWALL SYSTEMS | Part of **sig** plc

Board Thickness	Speedline Drywall Fixing Length
12.5mm & 15mm	25mm
12.5mm + 12.5mm	25mm + 38mm
12.5mm + 15mm	25mm + 42mm
15mm + 15mm	25mm + 42mm



To be read in conjunction with door manufacturers details & informantion

Design Data:  
 Detail may not replicate a laboratory tested configuration and for this reason approval from the relevant authority and Principal Designer should be sought.  
 Detail based on construction with materials & components as shown. The inclusion or substitution of any other manufacturers materials or components must be given in writing by SIG PLC.  
 This information is provided in good faith and is based upon details received which are assumed to include all relevant facts.  
 We accept no liability for its accuracy, adequacy or completeness. Recipients must satisfy themselves as to its suitability as we do not accept responsibility for any claims or consequential loss.  
 Acceptance of the content and subsequent design responsibility rests entirely with the recipients who should then produce accepted details on their own company documentation.

CDR No: 3172

SCALE: NTS

DATE: 01/08/24

C STUD  
 DOOR UP TO 40 Kgs  
 SINGLE LAYER  
 5012SR

Details to be read in conjunction with project specification guidelines

Adsetts House,  
 16 Europa View,  
 Sheffield Business Park,  
 Sheffield,  
 S9 1XH.  
 T: 0114 231 8030  
 E: enquiries@speedlinedrywall.co.uk

**SPEEDLINE**  
 DRYWALL SYSTEMS | Part of **sig** plc